



# FreeSpirit Curtain System



In hospitals, there is often a great need to screen off individual beds for greater privacy in multi-patient rooms. However, it may be difficult to combine standard curtain systems with ceiling-mounted patient lift systems.

Liko has therefore developed a unique system with specially adapted ceiling-mounted rails, rail carriers and curtain rails. The FreeSpirit concept is available in several versions to suit different settings and installation alternatives. The system is very easy to install and use, and it creates a calm and private environment where safe, convenient lifting is possible.

Read more about the **FreeSpirit T-system** and **FreeSpirit E-system** on the following pages. Contact us if you would like more information and assistance with planning a solution.

# FreeSpirit T-system

The T-system is a telescopic curtain rail (T-rail) that can be easily moved aside to allow a lift unit to pass.

The curtain rail is mounted on the wall and ceiling and is available in three different lengths: 2, 2.5 and 3 meters.

When the curtains are drawn, the lift unit can be used freely over the bed area.

We recommend the use of our specially developed curtains with the FreeSpirit T-system.

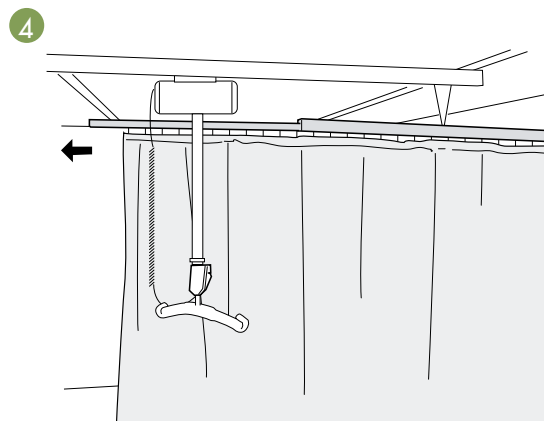
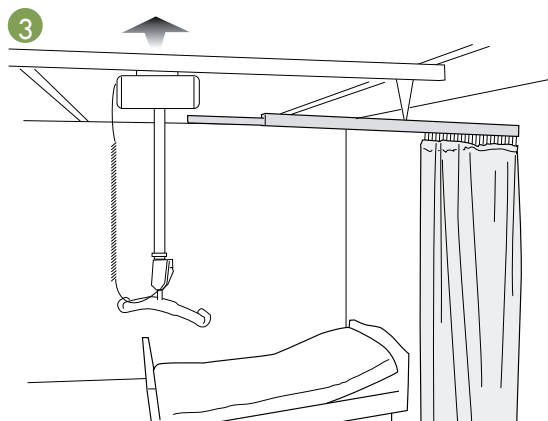
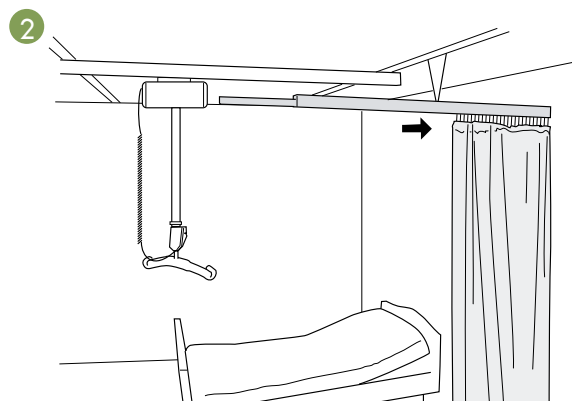
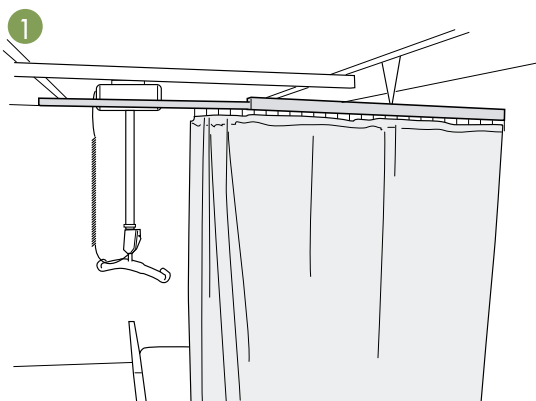
Contact Liko for more information.

## ■ PRODUCT NUMBERS

Prod. no.	Description
3101801	Curtain bracket T 300
3101802	Pendant set T, 300-550 mm
3101803	Pendant set T, 500-750 mm
3101804	Pendant set T, 700-950 mm
3101805	Pendant set T, 900-1150 mm
3101806	Pendant set T, 1100-1350 mm
3101820	Curtain rail, T, 2,0m
3101825	Curtain rail, T, 2,5m
3101830	Curtain rail, T, 3,0m



*The curtain is moved aside to allow the lift unit to pass. The telescopic curtain rail follows automatically and the lift unit can pass by. Once the lift unit has passed, the curtain can be drawn.*



# FreeSpirit E-system

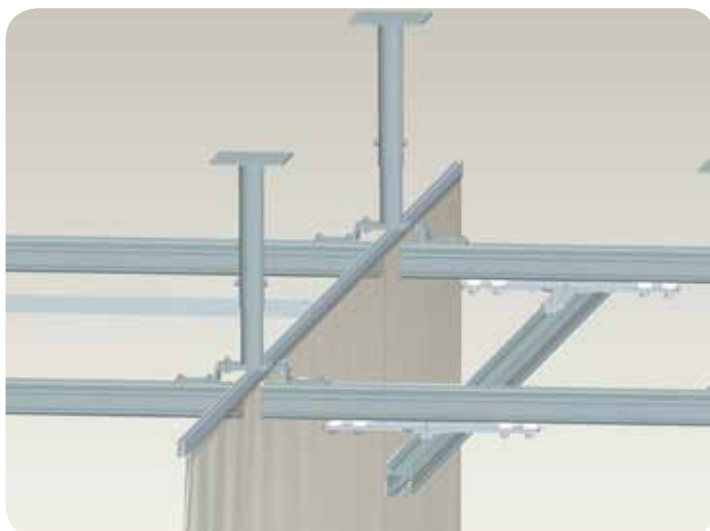
With the E-system, the curtain rail intersects the rail system via a gap in the primary rail. The E-system features a special ceiling mount and a specially designed wide traverse rail carrier with extra wheels.

The lift unit can be operated freely within the area behind the drawn curtain, but for the lift unit or traverse system's secondary rail to pass, the curtain must be pulled aside.

The E-system can be used with both traverse and straight-rail systems. Primary rails must be installed with ceiling mounts or pendants. For more information, study our installation instructions.



*With the FreeSpirit E-system, the curtain rail intersects the rail system via a gap in the primary rail. The curtain is simply pulled aside to allow the lift unit to pass.*



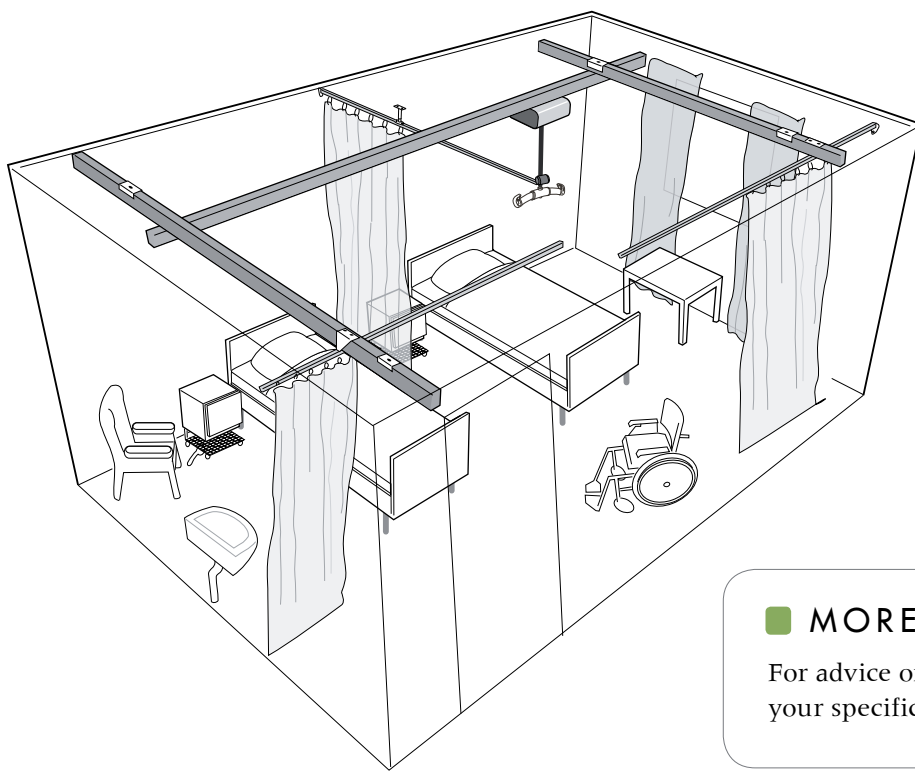
*This example shows a traverse system mounted with a Pendant 90-130 E-system (picture seen from above). There are also other installation alternatives for traverse and straight systems.*

## PRODUCT NUMBERS

Prod. no.	Description
3101701	Pendant 90-130 E-system (pendant included)
3101702	Pendant plate 60 E-system (pendant not included)
3101703	Pendant plate 100 E-system (pendant not included)
3101704	Traverse rail carrier, E-system, standard
3101705	Traverse rail carrier, E-system, wide
3126014x2	Rail carriers for E-system straight rail (Likorall only)

## Suggested FreeSpirit solutions

Most often, a combination of E-systems and T-systems is the most functional installation alternative, see example below or contact us for details.



### MORE INFORMATION

For advice on the ideal solution for your specific case, contact Liko.

FreeSpirit is used together with overhead lift systems from Liko. For more than 25 years, Liko has successfully specialized in the design, development and manufacture of safe, easy-to-use assistive devices: mobile lifts and overhead lifts, slings and accessories. Our specialization enables us to remain a step ahead. We gather knowledge and experience and apply it when we develop our products and methods.

Liko provides complete product service via our own service personnel and service partners. Please feel free to contact us for advice and guidance. Liko is a Swedish company. We are market leading in the Nordic region and are represented by our own subsidiaries and distributors in more than 30 countries.

Liko is quality certified according to ISO 9001 and its equivalence for the medical device industry, ISO 13485. Liko is also certified according to environmental standard ISO 14001.



[www.liko.com](http://www.liko.com)

#### Manufactured by:

Liko AB  
Nedre vägen 100  
975 92 Luleå  
Sweden  
[info@liko.se](mailto:info@liko.se)

#### Local representative in UK

Hill-Rom Limited  
Clinitron House, Ashby Park  
Ashby de la Zouch,  
Leicester LE65 1JG  
Tel: 01530 411000  
Fax: 01530 411555  
[info@liko.co.uk](mailto:info@liko.co.uk)

To find your local Liko representative,  
please visit [www.liko.com](http://www.liko.com) or call  
+46 (0)920 47 47 00



A  Company